

ÜBER FONT WITH UNDERCOUNTER BOILERS



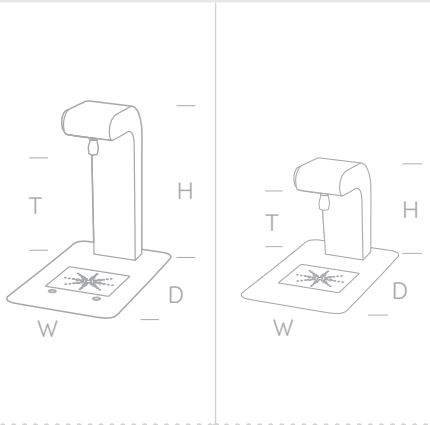
ÜBER FONT



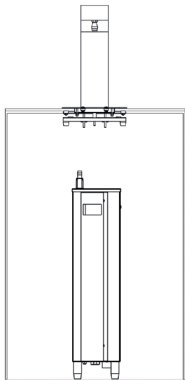
FONT VARIANTS

1 Connection	1000812
2 Connections	1000811
Low Profile 1 connection	1000812L
Low Profile 2 connections	1000811L

DIMENSIONS



SYSTEM SET-UP



- > Available in two heights
- > Can be used with 1 or 2 undercounter boilers

ECOBOILER RANGE **ECOSMART RANGE**



OR

FONTS

PRODUCT INFO		FONT DIMENSIONS		PACKAGING		
NAME	ORDER CODE	DIMENSIONS (D x W x H mm)	TAP TO COUNTER (T mm)	PACKED WEIGHT	PACKAGING DIMENSIONS (L x W x H mm)	QTY / PALLET
Über Font	1000812 1000811	470 x 250 x 400	295	7kg	490 x 280 x 670	24
Über Font (Low)	1000812L 1000811L	470 x 250 x 272	172			

BOILERS

PRODUCT INFO		SIZE	PERFORMANCE SPECS			PLUMBING & ELECTRICAL REQS		PACKAGING		
NAME	ORDER CODE	DIMENSIONS (D x W x H mm)	IMMEDIATE DRAW OFF	L / HOUR	CUPS (180ml) / HOUR	POWER @ 220v	PLUMBING REQS	PACKED WEIGHT	PACKAGING DIMENSIONS (L x W x H mm)	QTY / PALLET
EcoBoiler UC4	1000740	395 x 135 x 585	4L	24	133	2.4kW	3/4" BSP	11kg	510 x 240 x 690	30
EcoSmart UC4	1000750									
EcoBoiler UC10	1000741	395 x 228 x 585	10L	28	156	2.8kW		12.5kg	550 x 320 x 750	10
EcoSmart UC10	1000751									
EcoBoiler UC45	1000744A	495 x 420 x 667	45L	56	311	5.6kW	22kg	600 x 520 x 700	4	
EcoSmart UC45	1000754									

ÜBER FONT WITH ECOBOILER UNDERCOUNTER WATER BOILERS



ÜBER FONT WITH ECOBOILER UC4, UC10 & UC45

COUNTER CUT-OUT	ÜBER FONT 1000811		
	ECOBOILER UC4 1000740	ECOBOILER UC10 1000741	ECOBOILER UC45 1000744A
<p>14.6"/370mm 6.5"/165mm Front of Font</p>	<p>18.5"/470mm 11.6"/295mm 15.7"/400mm * Hosing should be trimmed to ensure continuous drop from font to boiler min 5.1"/130mm* 23"/585mm >27.6"/700mm 2"/50mm 15.5"/395mm</p>	<p>18.5"/470mm 11.6"/295mm 15.7"/400mm * Hosing should be trimmed to ensure continuous drop from font to boiler min 5.1"/130mm* 23"/585mm >27.6"/700mm 2"/50mm 15.5"/395mm</p>	<p>18.5"/470mm 11.6"/295mm 15.7"/400mm * Hosing should be trimmed to ensure continuous drop from font to boiler min 5.1"/130mm* 26.2"/667mm >27.6"/700mm 2"/50mm 19.4"/495mm</p>
<p>Boiler Connections to Font</p> <p>Water Power Vent</p>			

VENTILATION REQUIREMENTS

50mm/1.9" clearance required at each side and back of machine if installed in an enclosed cabinet.

ELECTRICAL INSTALLATION PROCEDURE

When installing the machine, always observe the local regulations and standards. The standard machine is supplied with a UK 3-pin plug. For EU models a 2-pin CEE-7 plug will be supplied. US models will be supplied with the suitable plug. A suitable mains power supply socket should be available within easy access of the appliance so that it can be disconnected easily after install. The wires from the font are terminated in a Mini Fit connector which will plug into a similar Mini Fit connector mounted on the top lid of the undercounter boiler.

PLUMBING INSTALLATION PROCEDURE

- Ensure that the equipment is installed according to local plumbing & water regulations.
- Mains water pressure required (limits): 14.5 - 145psi (100 - 1000kPa, 0.1 - 1MPa).
- Requires inline water filter within your water specifications.
- The machine is supplied with a 3/4" BSP connection.
- Turn on the water to flush any impurities, dust etc from the inlet hose and water pipe. Allow several litres through. Especially for new installations. Connect the hose to the inlet valve of the boiler. Make sure a sealing washer is fitted.
- Turn on water and check for leaks.
- If font does not offer a vent connection (Tubular Font only) then on no account must Vent/Overflow be

connected direct to a drain, if connected to a drain you MUST use a Tundish or Ensure an air break failure to do this will result in boiler contamination.

- This equipment must be installed with adequate backflow protection to comply with all applicable federal, state and local codes.

OPERATING BOILER FOR THE FIRST TIME

- Check that all installation procedures have been carried out.
- Ensure water valve is on.
- Plug boiler appropriate electrical supply and press power button on the front of the machine marked 'Power'.
- The "power on" light will glow green and the machine will fill to a safe level, above the elements, before heating.
- The "Ready/Status" light will cycle two red flashes while the machine is filling to the safe level.
- Whilst the machine is above the safe level and filling, the "Ready/Status" light will remain blank.
- The "Ready/Status" light will glow green when the machine is both full and up to normal operating temperature.
- The boiler is now ready for use.
- The font is simply activated by pressing the button on the top of the font.

NOTE: Because the boiler is electronically controlled no priming is necessary. The element cannot switch on until a safe level of water is reached.